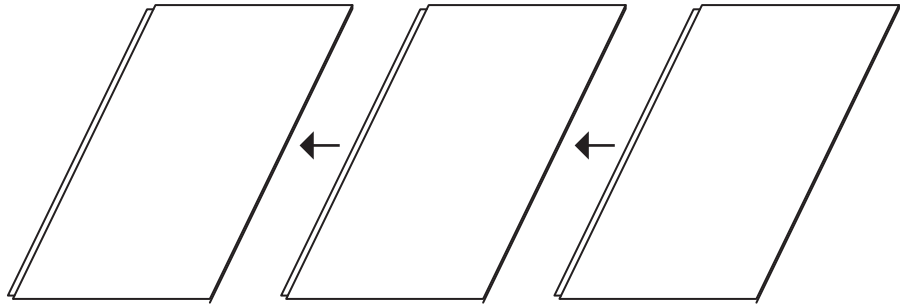


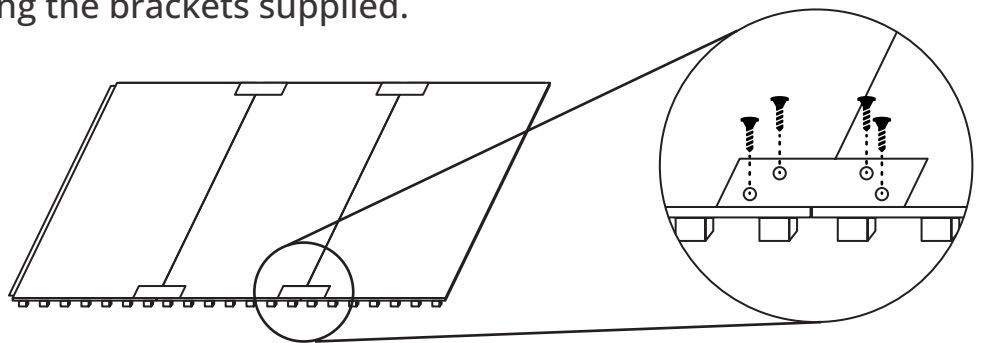
INSTRUCTIONS

STEP 1:

Place the FlexiPro floor boards facing the same direction and join the tongue and groove together.



STEP 2: Connect panels using the brackets supplied.

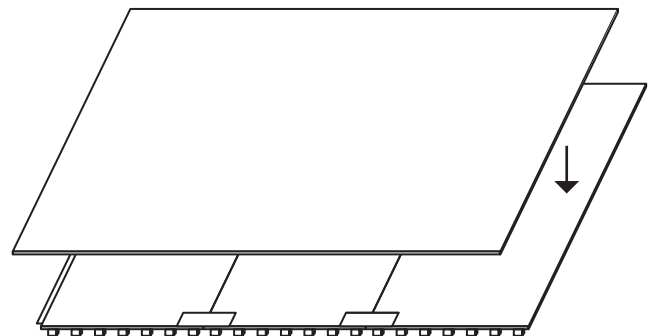


If you purchased multiple sprung kits to connect together, you only need to install the brackets between the panels along the outer edges.

STEP 3:

Place the dance vinyl on top.

You can either lay the vinyl surface loose for easy lifting or secure it with tape or adhesive* for a more fixed installation.



* Adhesive materials are not included in your kit but can be easily sourced from a local hardware store by yourself